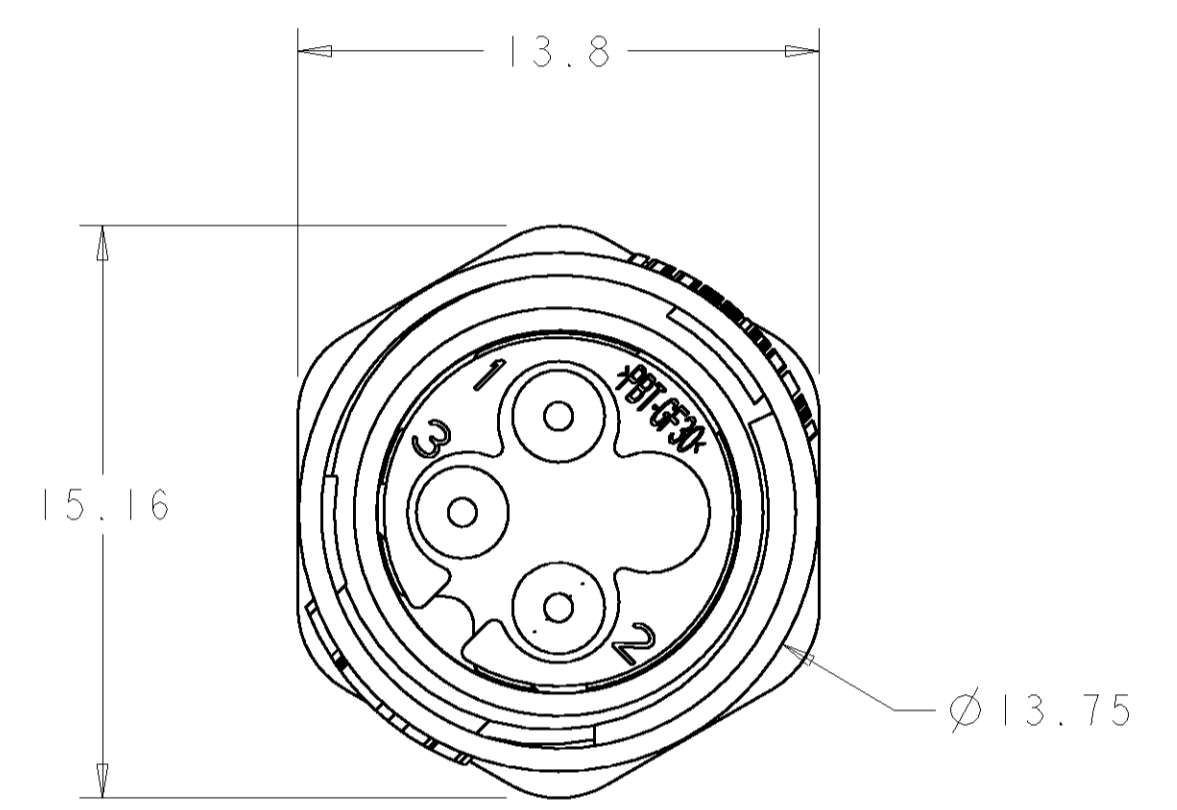
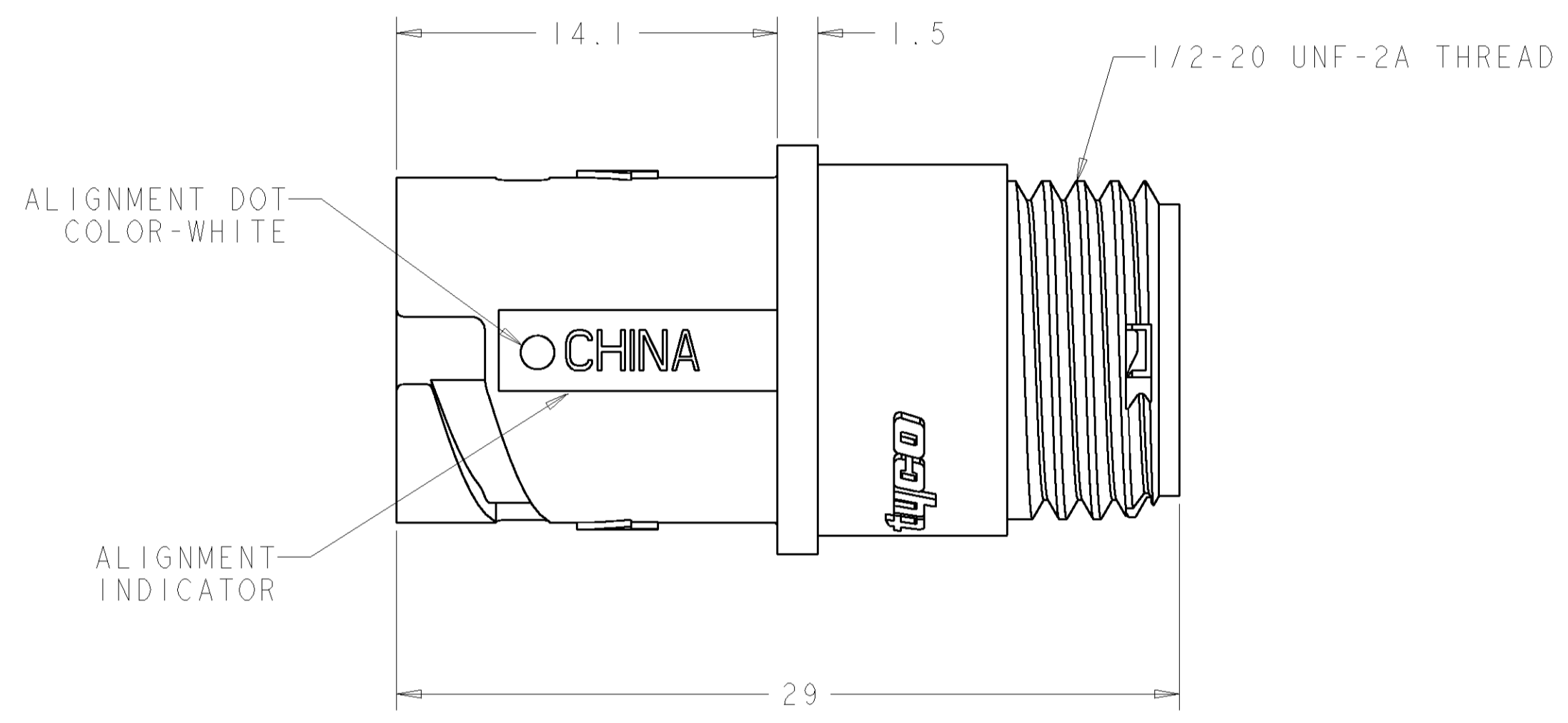
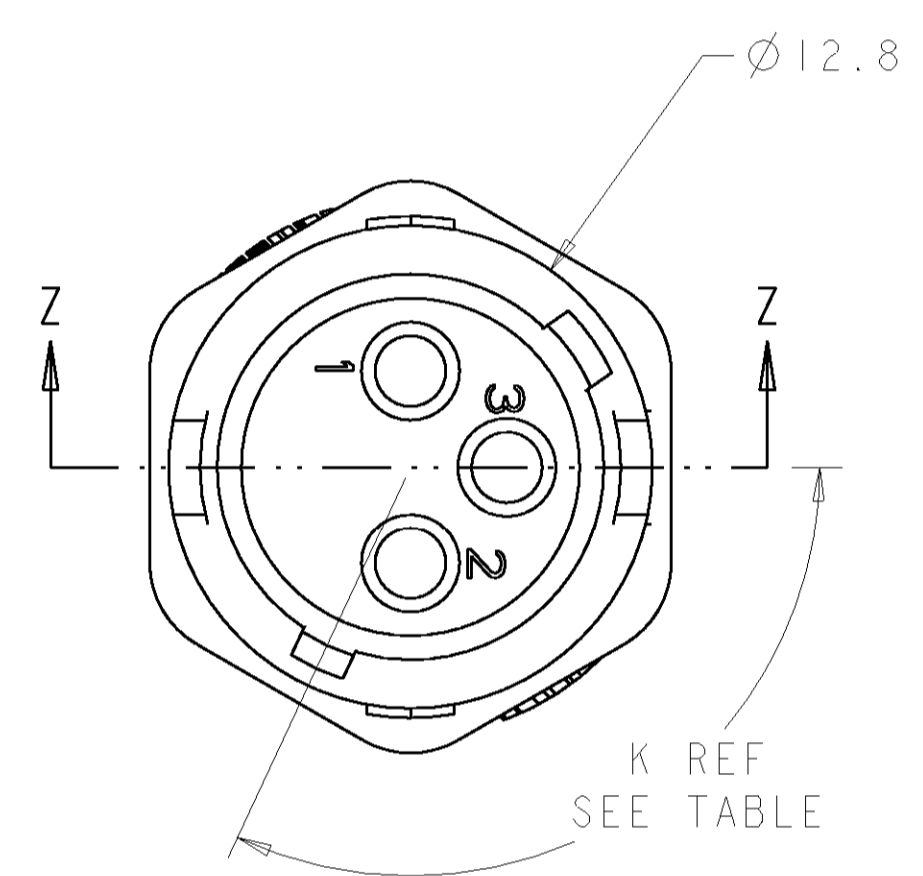
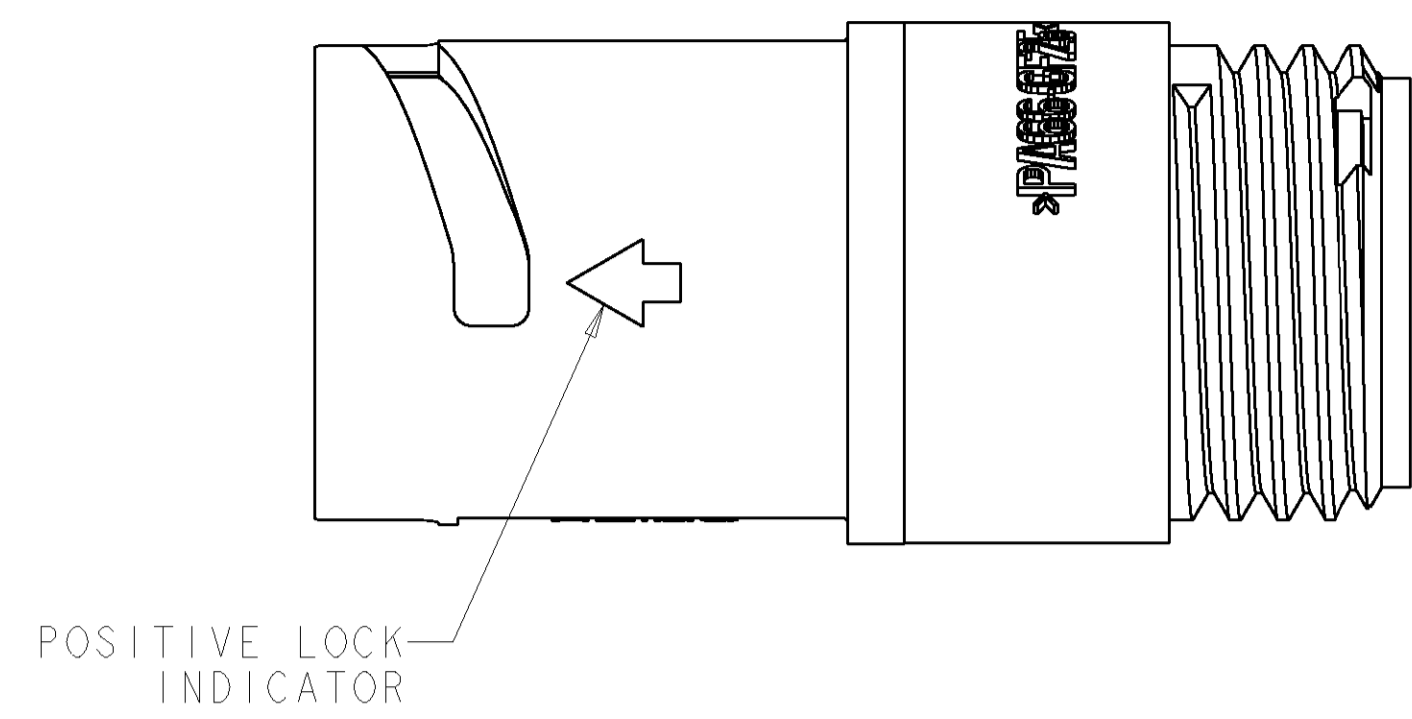
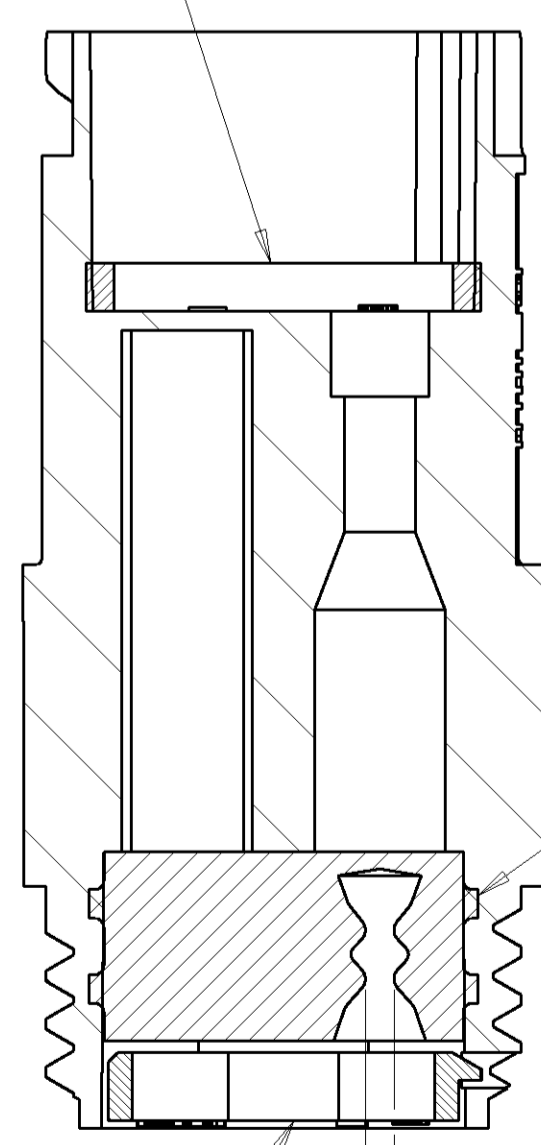


LOC		DIST		REVISIONS			
FT	0	P	LTR	DESCRIPTION	DATE	DWN	APVD
		A		RELEASED EC 0638-0326-03	12JUN2003	SW	HW
		B		REVISED EC 0638-0390-04	24MAY2004	SW	HW



SEAL, PERIPHERAL, 1 REQD.
 MATERIAL: ELASTOMER, COLOR-GRAY



HOUSING, 1 REQD.
 MATERIAL: THERMOPLASTIC, COLOR-BLACK

SEAL, WIRE ENTRY, 1 REQD.
 MATERIAL: ELASTOMER, COLOR-SEE TABLE

RETAINER, SEAL, 1 REQD.
 MATERIAL: THERMOPLASTIC, COLOR-BLACK
 ϕX REF SEE TABLE

SECTION Z-Z

QUALIFICATION TEST PENDING

YELLOW	$\phi 0.75$	130°	1445510-04
NATURAL	$\phi 1.5$	115°	1445510-03
NATURAL	$\phi 1.5$	130°	1445510-02
YELLOW	$\phi 0.75$	115°	1445510-01
SEAL, WIRE ENTRY COLOR	ϕX REF	K REF	PART NUMBER

DIMENSIONS:		TOLERANCES UNLESS OTHERWISE SPECIFIED:		DWN: S. WIEST 01MAY2001		Tyco Electronics Harrisburg, PA 17105-3608	
mm		0 PLC $\pm .5$		ENR: G. DOUITY 01MAY2001		NAME: ASSEMBLY, RECEPTACLE, SIZE 8, 3 POSITION, FREE HANGING, SEALED, MINI CPC	
		1 PLC ± 0.5		APVD: H. WAKEEM 12JUN2003		SIZE: A1 00779 C=1445510	
MATERIAL: SEE CALLOUT		2 PLC ± 0.13		PRODUCT SPEC: -		RESTRICTED TO: -	
		3 PLC ± 0.13		APPLICATION SPEC: -		SCALE: 5:1 SHEET 1 OF 1 REV B	
		4 PLC ± 0.001		WEIGHT: -			
		ANGLES: $\pm .1$		FINISH: SEE CALLOUT			
				CUSTOMER DRAWING			